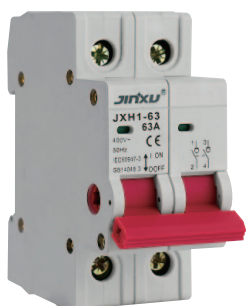


JXH8-125 Series Isolating Switch



(Without indicator)



(With indicator)

Application

JXH8-125 combines the following functions: .

- Break and connect the circuit with load
- Isolating function

It's mainly suitable for low voltage terminal electrical distribution in the residential houses, buildings, etc.

Standards & Certificates

- Comply with standard IEC60947 .3

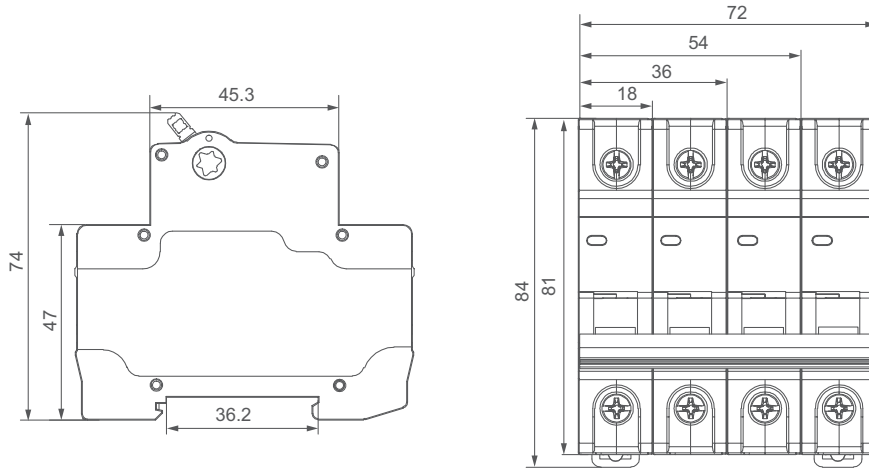
Pole	Rated voltage(V)	Rated current(A)	Product No.
1P	230	20	JXH8-120
		25	JXH8-125
		32	JXH8-132
		40	JXH8-140
		63	JXH8-163
		80	JXH8-180
		100	JXH8-1100
		125	JXH8-1125
2P	400	20	JXH8-220
		25	JXH8-225
		32	JXH8-232
		40	JXH8-240
		63	JXH8-263
		80	JXH8-280
		100	JXH8-2100
		125	JXH8-2125
3P	400	20	JXH8-320
		25	JXH8-325
		32	JXH8-332
		40	JXH8-340
		63	JXH8-363
		80	JXH8-380
		100	JXH8-3100
		125	JXH8-3125
4P	400	20	JXH8-420
		25	JXH8-425
		32	JXH8-432
		40	JXH8-440
		63	JXH8-463
		80	JXH8-480
		100	JXH8-4100
		125	JXH8-4125

Structural Features

- The enclosure is made of special fire resistant and high-strength plastic, so it is featured in high impact resistance and light weight;
- Featured in good contact reliability, it is suitable for din rail installation and it can be used together with other modular terminal apparatus.

JXH8-125 Series Isolating Switch

Outline & Installation Dimension(mm)



Main Technical Parameter

Pole		1P 2P 3P 4P
Rated current	In(A)	20 25 32 40 63 80 100 125
Rated operating voltage	Ue	230V(1P) 400V(2P, 3P, 4P)
Rated insulating voltage	Ui	500V
Rated short time withstand current	Icw	12In 1s
Rated short time breaking capability	Icm	20In 0.05s
Usage category		AC-22A
Mechanical life		8500 times
Electrical life		1500 times
Operation frequency		120 time/h
Grade of protection		IP20
Installation mode		Embedded type din rail mounting
Connection type		The terminal block or busbar with clamp
Connection capability		Allow the wire under 50mm ² to connect with
Tightening torque values		3.5N·m
Weight		1P 0.0678kg
		2P 0.1352kg
		3P 0.203kg
		4P 0.2704kg

Working & Installation Conditions

Ambient temperature	-5°C ~ +40°C, daily mean temperature ≤ 35°C
Altitude	≤ 2,000m
Air condition	No explosive hazard medium, no enough gas and dust to corrode metal and damage insulation
Relative humidity	When the maximum temperature is +40°C, relative humidity of air doesn't exceed 50%. Higher relative humidity may be allowed at lower temperature. For example, relative humidity reaches 90% at 20°C. Special measures should be taken to possible condensation incurred by the change of temperature
Pollution grade	Grade III
Installation category	Category II&III