

# JXM1 Series Moulded Case Circuit Breaker

## Application

JXM1 series moulded case circuit breaker is one of products developed and manufactured by adopting international advanced technology. It is supplied with rated insulating voltage 500V and 800V and used for circuit of AC 50/60Hz, rated operating voltage AC 400V (or below), rated operating current up to 1600A for infrequent changing over and starting of the motors. The products conforms to IEC 60947-2 standard.

## Main Technical Specification

Table 1

Type	Rated current (A)	Pole	Rated insulating voltage (V)	Rated operating voltage (V)	Arcing-over distance (mm)	Ultimate short circuit breaking capacity (kA)	Services short circuit breaking capacity (kA)	Operation performance		Utilization category
								Load	Unload	
JXM1-63L	(6),10,16,20,	3, 4	500V	400V	0	35	22	1500	8500	
JXM1-63M	25,32,40,50,63									
JXM1-125L	(10),16,20,25,	3, 4	800V		0(≤50)	35	17.5			
JXM1-125M	32,40,50,63,									
JXM1-125H	80,100,125									
JXM1-250L	100,125,160,	3, 4	800V		≤50	35	18	1000	7000	
JXM1-250M	180,200,225,									
JXM1-250H	250									
JXM1-400L	225,250,315,	3, 4	800V	400V /690V	≤50	50	25			
JXM1-400M	350,400									
JXM1-400H										
JXM1-630L		3, 4	800V		≤100	50	25	1000	4000	
JXM1-630M	400,500,630									
JXM1-630H										
JXM1-800L	630,700,800	3, 4	1000V		≤100	70	50			
JXM1-1250L	1000,1250	3, 4	1000V		≤100	100	70			
JXM1-1600L	1600	3, 4	1000V		≤100	100	70			

Note: 6A without thermal protection

The N-pole of four-poles breaker is sited at the right side of the product has four types:

Type A: Without current trip-lease on N pole which making all the time, not closing and opening with the other three poles.

Type B: Without current trip-release on N pole which closing and opening with the other poles.

Type C: With current trip-release which closing and opening with the other three poles.

Type D: With current trip-release which making all the time not closing and opening with the other three poles.

## Protection Characteristic

The thermodynamic release of a circuit breaker provides the feature of inverse time-delay, while the magnetic release is the instantaneous operation as shown on table 2(distribution circuit breaker) and table 3 (motor protection circuit breaker).



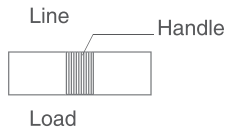
Table 2

Rated current of release (A)	Thermodynamic release( ambient temperature land +40°C marine +45°C )		Operating current of magnetic release (A)
	1.05In(cold state) Inoperative time(h)	1.30In(heat state) Operative time(h)	
10 ≤ In ≤ 63	≥ 1	< 1	10In±20%
63 < In ≤ 100	≥ 2	< 2	
100 < In ≤ 800	≥ 2	< 2	

Table 3

Rated current of release (A)	Thermodynamic release ( ambient temperature land +40°C marine +45°C )				Operating current of magnetic release (A)
	1.0In(cold state) non-trip time(h)	1.20In(heat state) trip time (h)	1.50In(heat state) trip time (h)	7.2In(cold state) trip time(h)	
10 ≤ In ≤ 225	≥ 2	< 2	≤ 4min	4s < Tp ≤ 10s	12In±20%
225 < In ≤ 630			≤ 8min	6s < Tp ≤ 20s	

### Release Pattern and Accessories Code



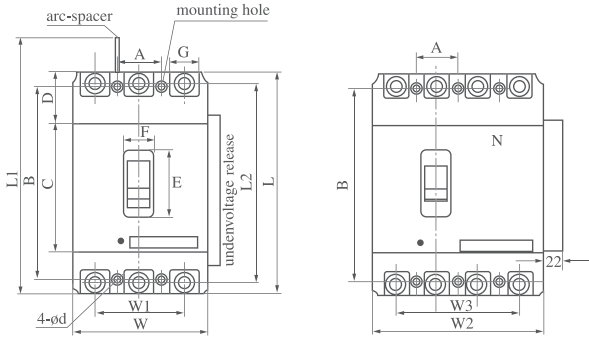
SHT: Shunt release; UVR: Under-voltage release;  
 AX: Auxiliary contact; AL: Alarm contact

Release pattern and accessories code	Name	Type	JXM1-63, 100, 225	JXM1-400	JXM1-630	JXM1-800
200, 300	Without accessories		200: magnetic release (only short circuit protection) 300: thermal magnetic release(both overload and short circuit protection)			
208, 308	Alarm contact		AL	AL	AL	AL
210, 310	Shunt release		SHT	SHT	SHT	SHT
220, 320	Auxiliary contact		AX	AX	AX	AX
230, 330	Under-voltage release		UVR	UVR	UVR	UVR
240, 340	Shunt release Auxiliary contact		SHT AX	SHT AX	SHT AX	AX SHT
250, 350	Shunt release Under-voltage release		SHT UVR	SHT UVR	SHT UVR	UVR SHT
260, 360	Two group of auxiliary contact		AX AX	AX AX	AX AX	AX AX
270,370	Under-voltage release Auxiliary contact		AX UVR	AX UVR	AX UVR	UVR AX
218, 318	Shunt release Alarm contact		AL SHT	SHT AL	AL SHT	AL SHT
228, 328	Alarm contact Auxiliary contact		AL AX	AL AX	AL AX	AL AX
238, 338	Under-voltage release Alarm contact		AL UVR	AL UVR	AL UVR	AL UVR
248, 348	Shunt release, Alarm contact, Auxiliary contact		AL AX SHT	SHT AL AX	AL AX SHT	AL AX SHT
268, 368	Two group of auxiliary contact,Alarm contact		AL AX AX	AL AX AX	AL AX AX	AL AX AX
278, 378	Shunt release, Alarm contact, Under-voltage release		AL AX UVR	AL AX UVR	AL AX UVR	AL AX UVR

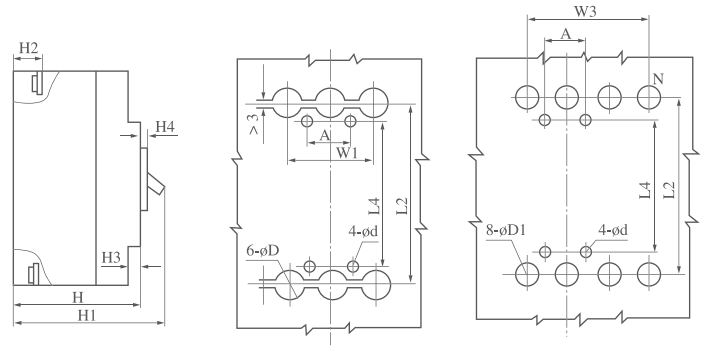
# JXM1 Series Moulded Case Circuit Breaker

## Outline and Installation Dimensions

Front panel connection



Back panel connection

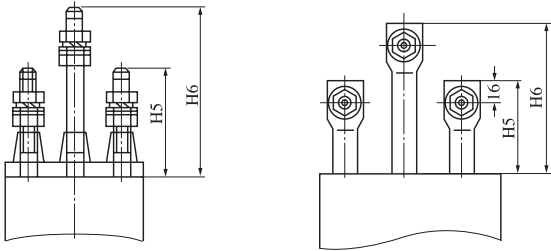


Type	Outline Dimensions(mm)															
	Front panel connection															
	W	W1	L1	L2	L	H1	H2	H3	H4	C	H	D	E	F	G	W2
JXM1-63L	76	50	170	117	135	92	20	7	4	85	74	28.5	48	22	14	100
JXM1-63M	76	50	170	117	135	98.5	28	7	4	85	82	28.5	48	22	14	100
JXM1-125L	92	60	185	132	150	86	24	7	4	88	68	35.5	50	22	17.5	122
JXM1-125M	92	60	185	132	150	104	24	7	4	88	86	35.5	50	22	17.5	122
JXM1-125H	92	60	185	132	150	104	24	7	4	88	86	35.5	50	22	17.5	122
JXM1-250L	107	70	215	144	165	110	24	5	4	102	86	31.5	50	22	17	142
JXM1-250M	107	70	215	144	165	127	24	5	4	102	103	31.5	50	22	17	142
JXM1-250H	107	70	215	144	165	127	24	5	4	102	103	31.5	50	22	17	142
JXM1-400L	150	96	357	224	257	155	38	8	6	128	105	64.5	89	65	ø26	198
JXM1-400M	182	116	370	234	270	160	43	8	6	134	110	70	89	65	ø29	198
JXM1-400H	182	116	370	234	270	160	43	8	6	134	110	70	89	65	ø29	198
JXM1-630L	182	116	370	234	270	160	43	8	6	134	110	70	89	65	ø29	240
JXM1-630M	182	116	370	234	270	160	43	8	6	134	110	70	89	65	ø29	240
JXM1-630H	210	140	380	243	280	145	33	30	128		106					
JXM1-800L	210	140	380	243	280	145	33	30	128		106					
JXM1-1250L	210	140			393						200					
JXM1-1600L	210	140			393						200					

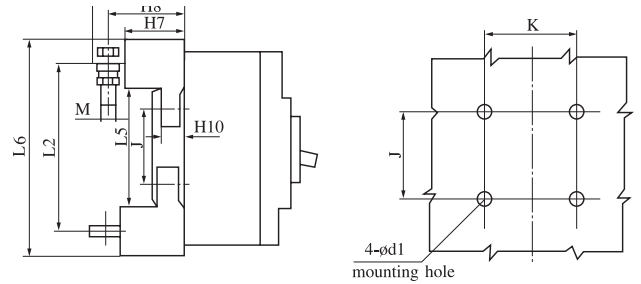
# JXM1 Series Moulded Case Circuit Breaker

## Outline and Installation Dimensions

Back panel connection



Plug-in connection



Outline Dimensions(mm)																	Installation Dimensions		
Back panel connection							Plug-in connection												
W3	L4	H5	H6	ØD	ØD1	L5	L6	H7	H8	H9	H10	J	K	Ød1	M	A	B	Ød	
75	117	44	66	8	8							60.7				25	117	3.5	
75	117	44	66	8	8							62				25	117	3.5	
90	129	68	108	26	16	92	168	50	62	74	17.5	56	60	6.5	M8	30	129	4.5	
90	129	68	108	26	16	92	168	50	62	74	17.5	56	60	6.5	M8	30	129	4.5	
90	129	68	108	26	16	92	168	50	62	74	17.5	56	60	6.5	M8	30	129	4.5	
105	126	66	110	20	20	94	183	50	69.5	84.5	17.5	54	70	6.5	M8	35	126	5	
105	126	66	110	20	20	94	183	50	69.5	84.5	17.5	54	70	6.5	M8	35	126	5	
105	126	66	110	20	20	94	183	50	69.5	84.5	17.5	54	70	6.5	M8	35	126	5	
144	194	60	120	33	33	169	279	60	83.5	106.5	21	129	60	8.5	M10	44	194	7	
144	200	65	125	36	36	169	299	60	92	110	21	123	100	8.5	M12	58	200	7	
144	200	65	125	36	36	169	299	60	92	110	21	123	100	8.5	M12	58	200	7	
174	200	65	125	36	36	169	299	60	92	110	21	123	100	8.5	M12	58	200	7	
174	200	65	125	36	36	169	299	60	92	110	21	123	100	8.5	M12	58	200	7	
		128														70	243	7.2	
		128														70	243	7.2	