



Product Description

The JXREC recloser is a new design of intelligent electric protector and recloser, it breaks through the traditional electricity protected mode, use the mechanical intelligent control principle, combined with the high-tech electronic technology and developed a new generation of intelligent electric protection switch. With the use of safety control technology and electromagnetic ID type RCCB, under the circuit leakage fault, after the circuit breaker tripping off, the automatic closing mechanism will given 6 different time periods to tripping and closing automatically, achieve a unmanned automatic switching on and off, it requires no human intervention and fundamental solve the problem of power failure cause by electrical fault tripping or malfunction tripping.It confirms standard of IEC 61008-1.

Product Performance and Specifications



The JXREC mechanism specifications:

- Rated working voltage: $U_n=220 \sim 240V$ AC
- Rated working frequency: 50Hz
- Tripping times: 6 times
- Tripping delay time: 10s,20s,30s,60s,120s,600s
- Power of JXREC mechanism: $P= :30VA$
- The JXREC error time: $0.4S < T < 1S$
- Auxiliary contact: 1NO+ 1NC,NO dry contact
- Auxiliary contact capacity: $V_{max} 250V I_{max} 2A$

RCCB specifications

- Rated current I_n : 25A,40A,63A;
- Rated residual current $I_{\Delta n}$: 0.03A,0.1A,0.3A;
- Pole number: 1P+N,3P+N;
- Rated breaking capacity I_m : 500A ($I_n=25A,40A$)630A($I_n=63A$);
- Rated residual current and breaking capacity $I_{\Delta m}$:500A($I_n=25A,40A$) 630A($I_n=63A$);
- Rated limited short-circuit current I_{nc} : 6000A;
- Rated limited residual short current $I_{\Delta c}$: 6000A;
- Rated residual non-trip current $I_{\Delta no}$: $0.5I_{\Delta n}$;
- Residual current tripping and breaking time chart.

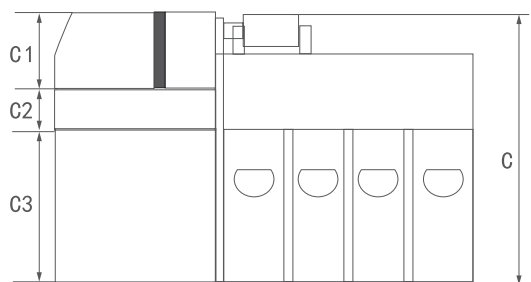
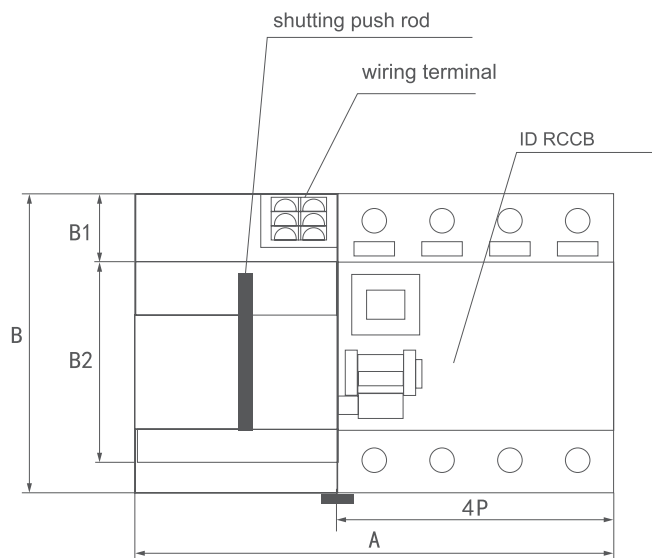
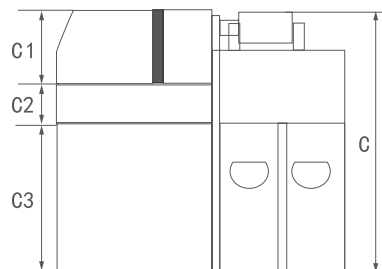
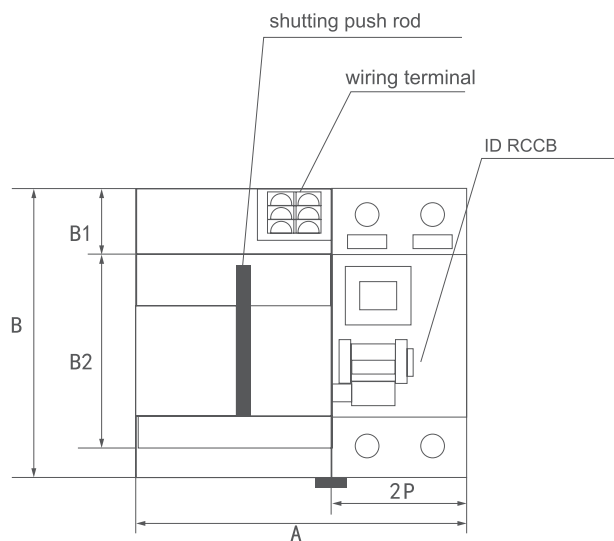
I_n	$I_{\Delta n}$	Residual current ($I_{\Delta n}$) breaking time					
		$I_{\Delta n}$	$2I_{\Delta n}$	$5I_{\Delta n}$	5A,10A.20A.50A.100.200A,500A	Max breaking time	
25,40,63	0.03,0.1,0.3	0.01	0.08	0.04	0.04	Max breaking time	

- mechanical electrical time
- RCCB cycle-index

$I_n(A)$	On load operate time	Off load operate time	Operation frequency times/hour
25	2000	2000	240
40,63	2000	1000	120
Reclosure	3000	3000	120

JXREC Series Residual Current Circuit Breaker

Product Appearance and Installation Guide



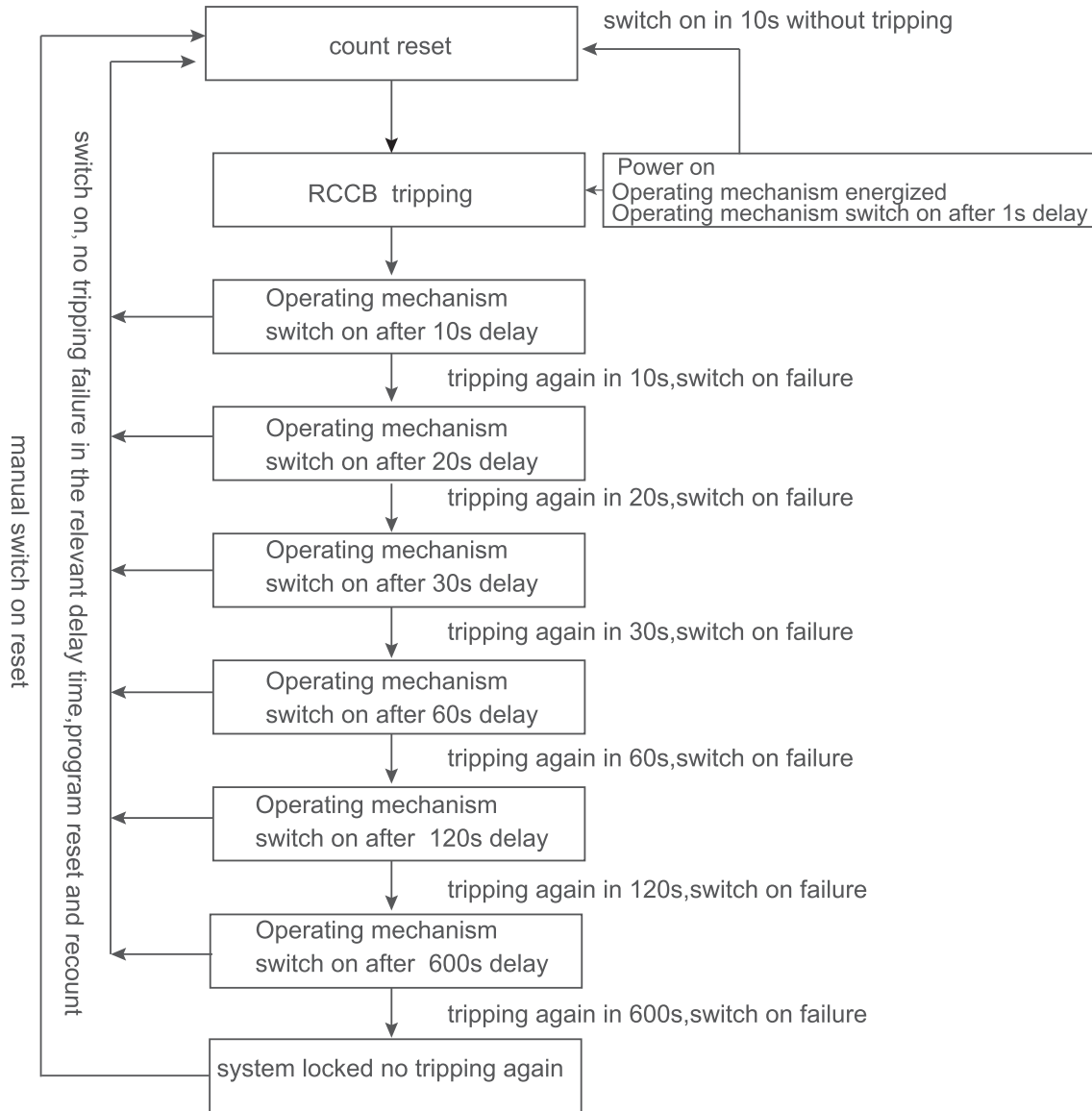
	A	B	C	B1	B2	C1	C2	C3
2P	93	84	80	18.5	57	16.5	9	50.5
4P	130	84	80	18.5	57	16.5	9	50.5

Residual Current Circuit Breaker

Recloser Program Working Pattern

System locked manual reset protocol:

- RCCB handle manual switch off
- Manual locking push rod shut down and restarts again
- Start the remote switch on button



When the RCCB tripping off, the REC recloser program will active: if the reclosing success, and no reappear tripping off before the previous delay time range , then the program counter reset; if reclosing success, the system have reappeared a tripping off before the previous delay time range, then the system enter a longer delay reclosing cycle-index, If the device has reclosed for 6 times, still not successfully reclosed the earth leakage protection device(RCCB), then the device automatically lock down, it will not try to automatically switch on again, until manually reset.